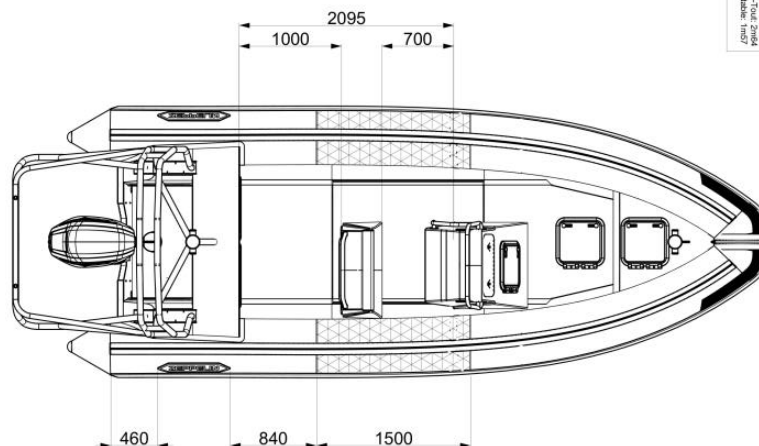


EXPORT



Longueur Hors Tout Etrave  
Longueur Habitable Sans  
Longueur Habitable Sans  
Longueur Habitable Sans

### Technical Specifications

Overall length L H	6.98 m
Inside length	5.40 m
Overall width L H	2.64 m
Inside width	1.57 m
Number of chambers	5
Inflation valves	5
Buoyancy tube diameter	0.59 m
Light mass	1 500 kg
Lightship weight	1 192 kg
Full load weight	2 692 kg
Number of people in C	11
Neoprene hypalon float	1 670 dTex
<b>Engine</b>	
Fuel	Petrol
Engine type	Outboard
Engine shaft	Ultra Long
Max engine power	200 cv
Recommended engine power	200 cv
Max engine weight	330 kg
<b>Trailer</b>	
Recommended payload	3 500 kg



### BASIC CONFIGURATION :

- Deck hatch
- Console C800
- Bolster 1011
- Roll bar
- Aluminium front and rear towing poles
- Gratings throughout the deck
- 25DL Tank
- Engine DF 200 ATX SUZUKI.
- Electrical and electronic equipment